

## Specifications

	S-Beam	Z-Cell	SGMT & SGMC
<b>General</b>			
Application	Tension and Compression	Tension or Compression	Tension SGMT Compression SGMC
Connector or Cable length	20 ft / 6 m **	side mount connector	side mount connector
Rated Output	3 ±0.01 mV/V	2 ±0.2 mV/V	2 ±0.2
Maximum excitation	15 VDC	15 VDC	15 VDC
Bridge resistance	350Ω ± 4Ω	350Ω ± 2Ω	350Ω ± 2Ω
Overload without zero shift (% FS)	150%	300%	300%
Minimum ultimate safety factor (% FS)	not rated	500%	500%
Suitable for critical suspended loads	No	Yes	Yes
<b>Typical in-system accuracy</b>			
Typical system accuracy FI-127* (% FS)	±0.1%	±0.1%	±0.25%
Typical system accuracy FI-90* (% FS)	±0.1%	±0.1%	±0.35%
Typical system accuracy FI-80* (% FS)	±0.1%	±0.1%	±0.5%
<b>Specific performance accuracy</b>			
Zero balance (% full scale capacity (FS))	<1%	<10%	<2%
Non-linearity (% FS)	±0.02%	±0.05%	±0.4%
Hysteresis (% FS)	±0.02%	±0.03%	±0.3%
Non-repeatability (% FS)	±0.01%	±0.02%	±0.1%
Creep (% FS in 20 min)	0.03%	0.03%	0.03%
<b>Temperature specifications</b>			
Zero (% FS/100°F)	±0.1%	±0.1%	±2.0%
Output (% load/100°F)	±0.2%	±0.2%	±2.0%
Temp. Comp Range	15 to 140°F	15 to 115°F	15 to 115°F
Operable Temp. Range	-20 to +200°F	-20 to +200°F	-20 to +200°F

\* Typical applications consist of maximum indicator linearization correction of load cell. Increased loading with immediate measurement. No torsional or off-axis loads. Temperature of 65 to 75°F.

\*\* Available with tinned leads or 7-pin connector

## Capacity/Resolution

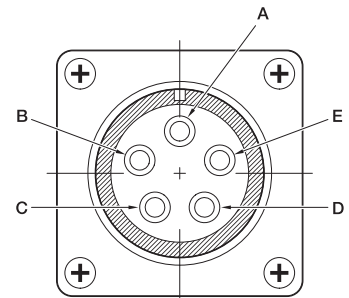
Capacity	Typical display increments (resolution)	Capacity	Typical display increments (resolution)
10 lb / kg	0.001 lb / kg	450 lb / kg	0.05 lb / kg
11 lb / kg	0.002 lb / kg	500 lb / kg	0.05 lb / kg
20 lb / kg	0.002 lb / kg	1000 lb / kg	0.1 lb / kg
22 lb / kg	0.005 lb / kg	2,000 lb / kg	0.2 lb / kg
45 lb / kg	0.005 lb / kg	5,000 lb / kg	0.5 lb / kg
50 lb / kg	0.005 lb / kg	10,000 lb / kg	1 lb / kg
90 lb / kg	0.01 lb / kg	20,000 lb / kg	2 lb / kg
100 lb / kg	0.01 lb / kg	40,000 lb / kg	5 lb / kg
200 lb / kg	0.02 lb / kg	50,000 lb / kg	5 lb / kg
220 lb / kg	0.05 lb / kg	100,000 lb/kg	10 lb / kg

### Z-Cell/SGMT/SGMC connector

- A - Output
- B + Excitation
- C + Output
- D -Excitation
- E Shield

### S-Beam tinned leads

- Red + Excitation
- Black -Excitation
- Green + Output
- White - Output
- Bare Shield

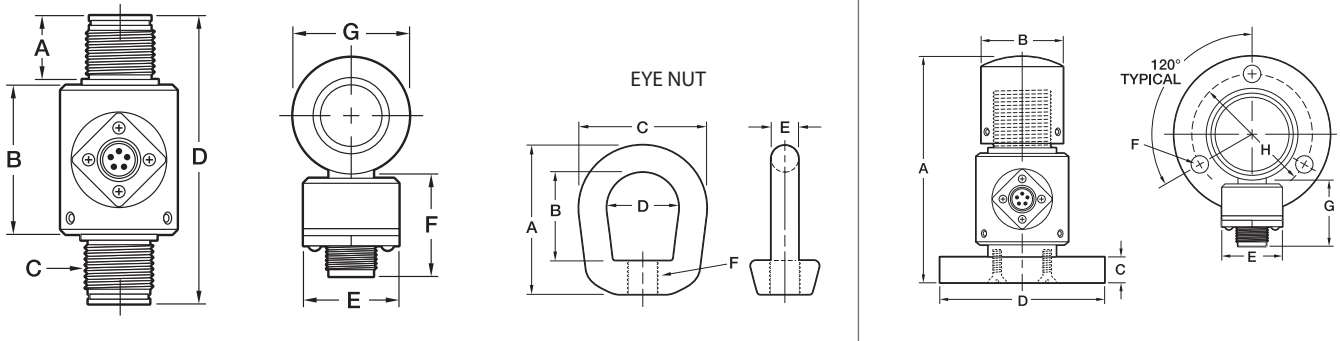


# SGMT

Capacities	Part number	A in (mm)	B in (mm)	C in (class)	D in (mm)	E in (mm)	F in (mm)	G in (mm)	Weight lb (kg)
2,000 lb 5,000 lb 10,000 lb	31909-0064 31909-0155 31910-0038	1.13	2.63	1 3/16-12	4.88	1.50	1.75	1.97	2.0
20,000 lb	31911-0045	1.81	2.63	1 ½-12	6.25	1.50	1.75	2.22	2.5
50,000 lb	31912-0036	2.53	2.84	2 ¼-12	7.91	1.50	1.75	3.00	5.5
100,000 lb	31912-0085	2.53	2.84	2 ¼-12	7.91	1.50	1.75	3.00	10

# SGMT Eye Nut

Load cell ratings	Eye nut Part number	A in (mm)	B in (mm)	C in (mm)	D in (mm)	E in (mm)	F in	Weight lb (kg)
2,000 – 10,000 lb 1,000 – 5,000 kg	30270-0018	5.0 (127)	3.1 (78)	4.0 (102)	2.2 (57)	0.9 (23)	1 3/16 - 12	2.5 (1.1)
20,000 lb 10,000 kg	30560-0017	6.8 (172)	4.0 (102)	5.6 (142)	3.1 (79)	1.3 (32)	1 ½ - 12	6.8 (3.1)
50,000 lb 20,000 kg	30561-0016	10.0 (254)	6.3 (159)	7.0 (178)	4.0 (102)	1.5 (38)	2 ¼ - 12	17 (7.6)

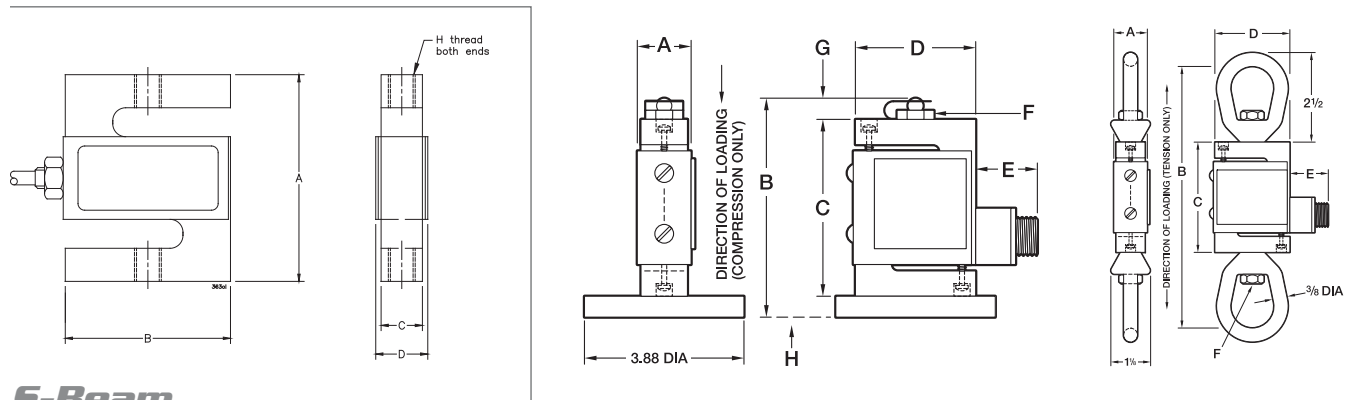


# SGMC

Capacities	Part number	A in (mm)	B in (mm)	C in (mm)	D in (mm)	E in (mm)	F in (mm)	G in (mm)	H in (mm)	Weight lb (kg)
2,000 lb 5,000 lb 10,000 lb	31913-0068 31913-0159 31914-0034	4.91	1.63	0.50	3.88	1.50	.406	1.75	3.06	3.5
20,000 lb	31915-0041	5.88	1.97	0.63	4.00	1.50	0.531	1.75	3.125	12
50,000 lb	31916-0032	7.38	2.94	0.63	5.00	1.50	0.531	1.75	4.00	12
100,000 lb	31916-0081	7.38	2.94	0.63	5.00	1.50	0.531	1.75	4.00	15

## Z-Cell

Capacity lb (kg)	Part number	A in (mm)	B in (mm)	C in (mm)	D in (mm)	E in (mm)	F in	G in (mm)	Weight lb (kg)
<b>Tension load cells</b>									
25 (10)	33565-0115	(22)	(184)	(76)	(51)	(38)			(1.4)
100 (45)	33565-0131								
500 (220)	33565-0164	1.13 (28)	7.5 (196)	3.25 (83)	2.50 (64)	1.5 (38)	½ - 20	n/a	3.0 (1.4)
1000 (450)	33565-0180	1.13 (28)	8.0 (203)	3.75 (95)	2.50 (64)	1.5 (38)	½ - 20	n/a	3.0 (1.4)
<b>Compression load cells</b>									
25 (10)	33365-0117	0.88	3.94	3.00	2.00	1.5	3/8 - 24	0.44	3.0
50 (22)	33365-0125	(22)	(100)	(76)	(51)	(38)		(11)	(1.4)
100 (45)	33365-0133								
500 (220)	33365-0166	1.13 (28)	4.19 (106)	3.25 (83)	2.50 (64)	1.5 (38)	½ - 20	0.44 (11)	3.0 (1.4)
1000 (450)	33365-0182	1.13 (28)	4.69 (119)	3.75 (95)	2.50 (64)	1.5 (38)	½ - 20	0.44 (11)	3.0 (1.4)

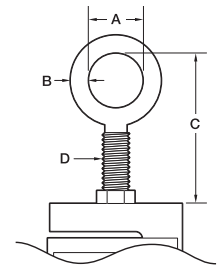


## S-Beam

Capacity lb (kg)	Part number	A in (mm)	B in (mm)	C in (mm)	D in (mm)	E (class)	Weight lb (kg)
<b>20 ft (6 m) cable with tinned leads</b>							
50 (22)	AWT27-500020	2.50	2.00	0.50	0.7	¼ - 28 (2B)	1.1
100 (45)	AWT27-500021	(64)	(51)	(12)	(17)		(0.5)
200 (90)	AWT27-500022						
500 (220)	AWT27-500023	2.50	2.00	0.75	0.9	½ - 20 (2B)	1.5
1,000 (450)	AWT27-500024	(64)	(51)	(18)	(23)		(0.7)
2,000 (900)	AWT27-500025	2.50 (64)	2.00 (51)	1.00 (25)	1.2 (29)	½ - 20 (2B)	2.2 (1.0)
5,000 (2,200)	AWT27-500026	4.00	3.00	1.00	1.2	¾ - 16 (2B)	3.6
10,000 (4,500)	AWT27-500027	(99)	(76)	(31)	(29)		(1.6)
20,000 (9,000)	AWT27-500028	7.00 (178)	5.00 (113)	2.00 (43)	2.2 (48)	1 ¼ - 12 (2B)	20 (9.2)
<b>20 ft (6 m) cable with 7-pin connector</b>							
50 (22)	AWT27-500011	2.50	2.00	0.50	0.7	¼ - 28 (2B)	1.1
100 (45)	AWT27-500012	(61)	(51)	(12)	(17)		(0.5)
200 (90)	AWT27-500013						
500 (220)	AWT27-500014	2.50	2.00	0.75	0.9	½ - 20 (2B)	1.5
1,000 (450)	AWT27-500015	(61)	(51)	(18)	(23)		(0.7)
2,000 (900)	AWT27-500016	2.50 (61)	2.00 (51)	1.00 (25)	1.2 (29)	½ - 20 (2B)	2.2 (1.0)
5,000 (2,200)	AWT27-500017	4.00	3.00	1.00	1.2	¾ - 16 (2B)	3.6
10,000 (4,500)	AWT27-500018	(99)	(76)	(31)	(29)		(1.6)
20,000 (9,000)	AWT27-500019	7.00 (178)	5.00 (113)	2.00 (43)	2.2 (48)	1 ¼ - 12 (2B)	20 (9.2)

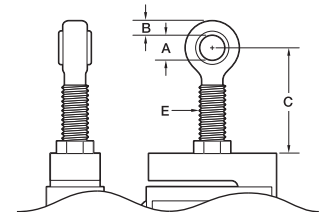
## Forged Eyebolt (not for critical overhead use, see Z-cell and SGMT)

S-Beam Load cell ratings	Eyebolt Part number	Breaking strength*	A in (mm)	B in (mm)	C in (mm)	D in	Weight lb (kg)
50–200 lb (22–90 kg)	52744-0218	2,500 lb	1.0 (25)	0.4 (10)	2.2 (55)	¼ - 28	0.14 (0.06)
500–2,000 lb (220–900 kg)	52744-0234	12,000 lb	1.1 (28)	0.5 (13)	2.7 (67)	½ - 20	0.36 (0.16)
5,000–10,000 lb (2,200–4,500 kg)	52744-0242	25,000 lb	1.5 (38)	0.7 (18)	3.4 (85)	¾ - 16	1.0 (0.45)



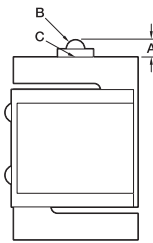
## Rod End Bearing (not for critical overhead use, see Z-cell and SGMT)

S-Beam Load Cell ratings	Rod end bearing Part number	Rating*	A in (mm)	B in (mm)	C in (mm)	D in (mm)	E in	Weight lb (kg)
50–200 lb (22–90 kg)	AWT15-500178	2,200 lb	0.25 (6)	0.25 (6)	1.3 (32)	0.38 (10)	¼ - 28	0.1 (0.0)
500–2,000 lb (220–900 kg)	AWT15-500179	8,300 lb	0.50 (13)	0.41 (11)	1.8 (47)	0.63 (16)	½ - 20	0.3 (0.1)
5,000–10,000 lb (2,200–4,500 kg)	AWT15-500180	14,000 lb	0.75 (19)	0.50 (13)	2.0 (50)	0.88 (22)	¾ - 16	0.7 (0.3)
20,000 lb 9,000 kg	AWT15-500181	44,000 lb	1.25 (32)	0.75 (19)	2.6 (67)	1.09 (28)	1 ¼ - 12	2.5 (1.1)



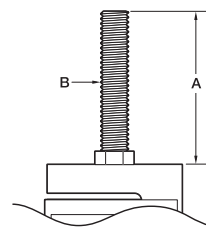
## Load button

Load cell ratings	Rod end bearing Part number	A in (mm)	B radius in (mm)	C in	Weight lb (kg)
50–200 lb (22–90 kg)	AWT05-500228	0.25 (6)	0.50 (13)	¼ - 28	0.0 0.0
500–2,000 lb (220–900 kg)	AWT05-500230	0.50 (13)	3.00 (76)	½ - 20	0.0 0.0
5,000–10,000 lb (2,200–4,500 kg)	AWT05-500231	0.68 (17)	5.00 (129)	¾ - 16	0.1 0.1
20,000 lb 9,000 kg	AWT05-500233	1.17 (30)	15.0 (381)	1 ¼ - 12	0.5 0.3



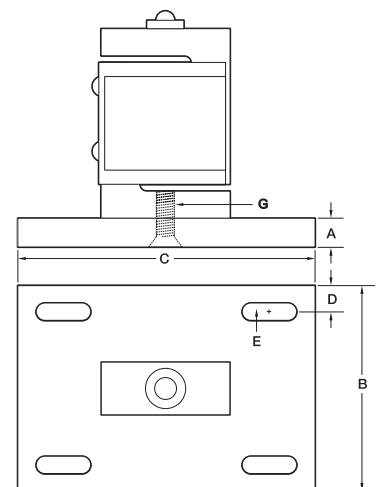
## Threaded stud (not for critical overhead use, see Z-cell and SGMT)

Load cell ratings	Rod end bearing Part number	A in (mm)	B in (mm)	Weight lb (kg)
50–200 lb (22–90 kg)	AWT15-500173	1.2 (30)	¼ - 28	0.0 0.0
500–2,000 lb (220–900 kg)	AWT15-500174	1.9 (48)	½ - 20	0.1 0.1
5,000–10,000 lb (2,200–4,500 kg)	AWT15-500175	2.1 (53)	¾ - 16	0.4 0.2
20,000 lb 9,000 kg	AWT15-500176	9.5 (241)	1 ¼ - 12	3.9 1.8



## Compression plate (Not for tensile use!)

Load cell ratings	Rod end bearing Part number	A in (mm)	B in (mm)	C in (mm)	D in (mm)	E in (mm)	G in (mm)	Weight lb (kg)
50–200 lb (22–90 kg)	AWT15-500182	0.38 (10)	4.00 (102)	4.00 (102)	0.50 (13)	0.28 x 0.75	¼ - 28	1.8 (0.8)
500–2,000 lb (220–900 kg)	AWT15-500183	0.50 (13)	4.00 (102)	4.00 (102)	0.75 (19)	0.41 x 1.00	½ - 20	2.3 (1.1)
5,000–10,000 lb (2,200–4,500 kg)	AWT15-500184	0.75 (19)	5.00 (127)	5.00 (127)	1.00 (25)	0.53 x 1.00	¾ - 16	5.4 (2.5)
20,000 lb 9,000 kg	AWT15-500185	1.25 (32)	7.00 (178)	6.00 (178)	1.50 (38)	0.88 x 1.25	1 ¼ - 12	15.2 (6.9)



### AUTHORIZED DISTRIBUTORS

**Ask the experts.** Dillon distributors offer complete service capabilities from application assistance to sales and product support. Their experienced representatives are the most knowledgeable experts that you will find in the force measurement industry. We recommend that you consult these capable specialists for all of your measuring needs.

Please call us or visit  
[www.dillonforce.com](http://www.dillonforce.com)  
 for your nearest  
 Dillon distributor.

## DILLON

Force Measurement Equipment

A division of Avery Weigh-Tronix, LLC  
 Fairmont, Minnesota U.S.A.

Toll-Free: (800) 368-2031  
 Phone: (507) 238-8796  
 Fax: (507) 238-8258

[www.dillonforce.com](http://www.dillonforce.com)

