

Model AP Mechanical Dynamometer

Accuracy: ± 0.5% of capacity

Temperature Range: -50° to 140° F (-45° to 60° C)

Ultimate Safety Factor:

See table on cover for minimum USF

Construction:

Pressure bar—
High-grade E4340 alloy steel or 7075-T651 aluminum

Shackles –
A4140 forged steel (machined from E4340 steel)

Shackle pins –
Machined from E4340 steel or 300 m steel

Case Housing:

5" models are equipped with high strength composite plastic case.

10" models use cast aluminum enclosure.

Corrosion Protection: Pressure bar protected with durable powder coat paint. Shackles and pins are electroless nickel plated. All integral machining and fasteners are produced from noncorrosive materials or have suitable plating.

Zero Control: Zero up to 20% of capacity. Zeroed load must be considered as part of ultimate load.

Calibration: Traceable to NIST.

Documentation: Includes User's Guide and signed calibration card.

Carry Case/Crate:

Low/Med capacity 5" dial – includes plastic carry case
Low/Med capacity 10" dial – optional steel carry case
All high capacity – includes reinforced plywood crate

Periodic Proof Loads: Controlled 150% proof loads permitted annually.

Approval: CE on all capacities excluding 30,000 lb and 50,000 lb ASME b30.26 compliant on 20,000 lb (10,000 kg) and below

Warranty: 2 years parts and labor

Shipping and packing (approximate weights):

5" Low and Med Capacities

Net weight	9 lb
Shipping weight	15 lb
Shipping box	16" x 11" x 7"

10" Low and Med Capacities

Net weight	10 lb
Shipping weight	16 lb
Shipping weight <i>(with optional steel case)</i>	26 lb
Shipping box	14" x 14" x 7"

30,000 – 50,000 lb (20,000 kg) High Capacity

Net weight	64 lb
Shipping weight	98 lb
Shipping crate	37.5" x 13" x 10.5"



AP Dynamometer Specifications

DILLON



Pound Capacities

	5" (125 mm) Dial Size		10" (250 mm) Dial Size		Ultimate Safety Factor
	Part Number	Cap x Division Size	Part Number	Cap x Division Size	
LOW	30006-0019	500 x 5	N/A		5:1
	30006-0027	1,000 x 10	30007-0026	1,000 x 5	5:1
	30006-0035	2,000 x 20	30007-0034	2,000 x 10	5:1
	30006-0043	4,000 x 25	N/A		5:1
	30006-0050	5,000 x 50	30007-0059	5,000 x 20	5:1
	30006-0076	8,000 x 50	N/A		
MED	30006-0084	10,000 x 100	30007-0083	10,000 x 50	5:1
	30006-0092	15,000 x 100	N/A		
HIGH	30006-0100	20,000 x 200	30007-0109	20,000 x 100	5:1
	N/A		30784-0017	30,000 x 200*	5:1
	N/A		30784-0033	50,000 x 200*	3:1

*Not CE approved.

ASME b30.26 compliant on 20,000 lb (10,000 kg) and below.

Kilogram Capacities

	5" (125 mm) Dial Size		10" (250 mm) Dial Size		Ultimate Safety Factor
	Part Number	Cap x Division Size	Part Number	Cap x Division Size	
LOW	30006-0134	500 x 5	N/A		
	30006-0159	1000 x 10	30007-0158	1000 x 5	5:1
	30006-0126	2000 x 20	30007-0125	2000 x 10	5:1
	30006-0167	4000 x 25	N/A		5:1
	N/A		30007-0174	5000 x 20	5:1
MED	30006-0118	10000 x 100	30007-0117	10000 x 50	5:1
HIGH	N/A		30784-0058	20000 x 100	4:1

AUTHORIZED DISTRIBUTORS

Ask the experts. Dillon distributors offer complete service capabilities from application assistance to sales and product support. Their experienced representatives are the most knowledgeable experts that you will find in the force measurement industry. We recommend that you consult these capable specialists for all of your measuring needs.

DILLON USA

1000 Armstrong Drive
Fairmont, MN 56031

Toll-Free: (800) 368-2031
Phone: (507) 238-8796
Fax: (507) 238-8258

www.dillonforce.com

DILLON UK

Foundry Lane, Smethwick,
West Midlands B66 2LP

Phone: +44 (0) 845 246 6717
Fax: +44 (0) 845 246 6718
Email: sales@dillon-force.co.uk

www.dillon-force.co.uk

DILLON

Force Measurement Equipment

A division of Avery Weigh-Tronix, LLC



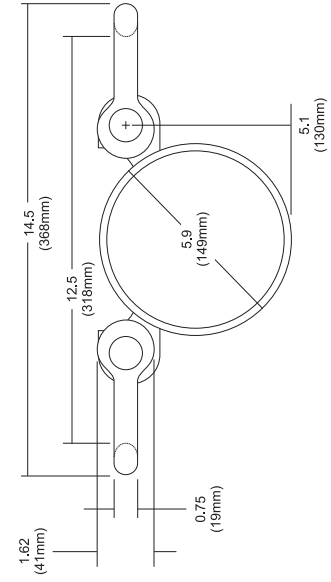
Dillon is part of Avery Weigh-Tronix. Avery Weigh-Tronix is a trademark of the Illinois Tool Works group of companies whose ultimate parent company is Illinois Tool Works Inc ("Illinois Tool Works"). Copyright © 2017 Illinois Tool Works. All rights reserved. This publication is issued to provide outline information only and may not be regarded as a representation relating to the products or services concerned. This publication was correct at the time of going to print, however Avery Weigh-Tronix reserves the right to alter without notice the specification, design, price or conditions of supply of any product or service at any time.

Model AP Dynamometer Dimensions

Dimensions in inches (mm)
 Drawing scales differ between capacities
 Dimensions subject to manufacturer /supplier tolerances and
 are subject to change without notice.

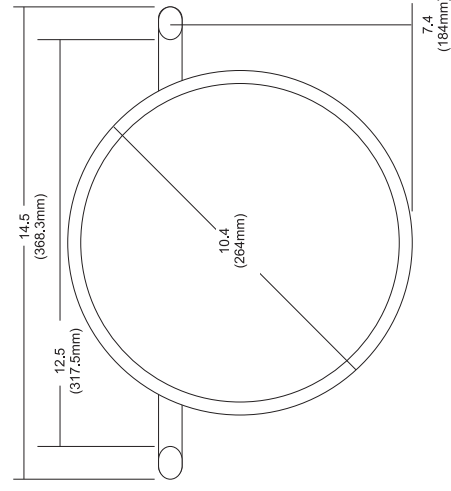
Low & Medium Capacities 500-20,000 lb / 200-10,000 kg

5" dial design

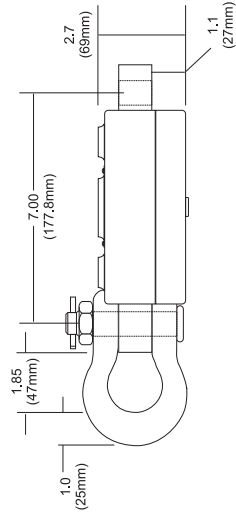


Front view

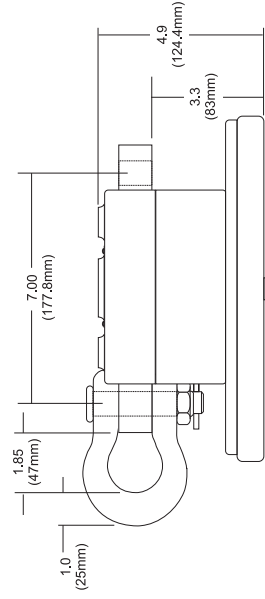
10" dial design



Front view

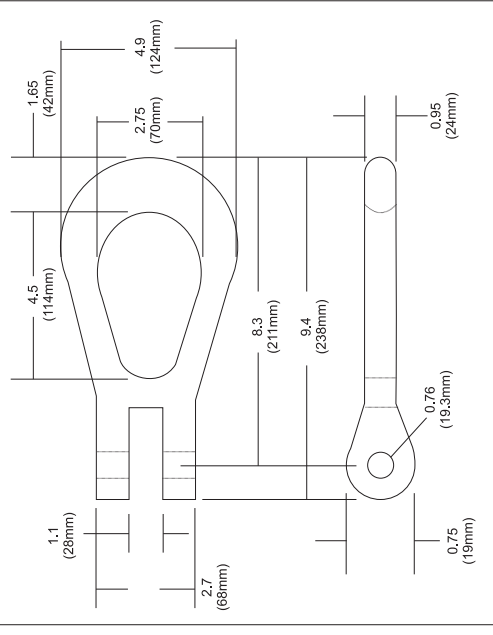


Side view

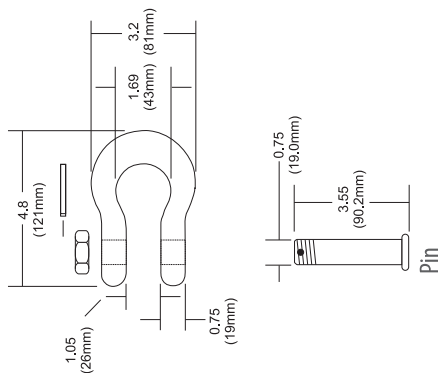


Side view

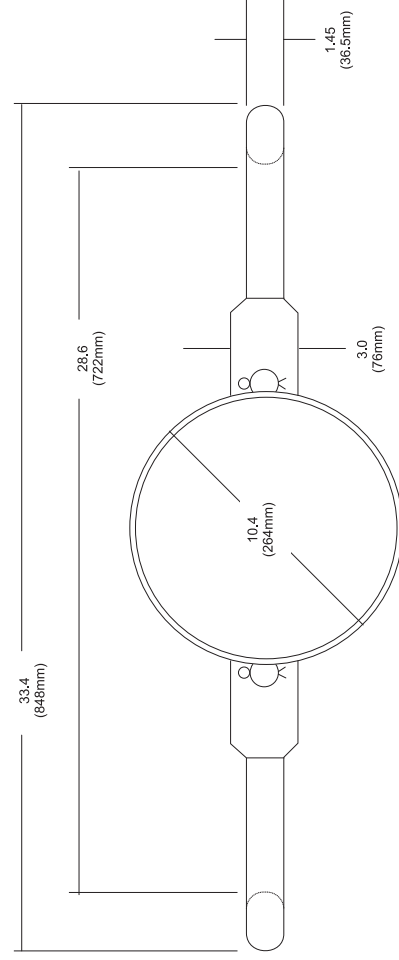
Optional Oversize Shackle



Standard Shackle



High Capacities 30,000-50,000 lb / 15,000-20,000 kg



For smaller, lighter and/or anchor shackles see Dillon APxtreme.

